

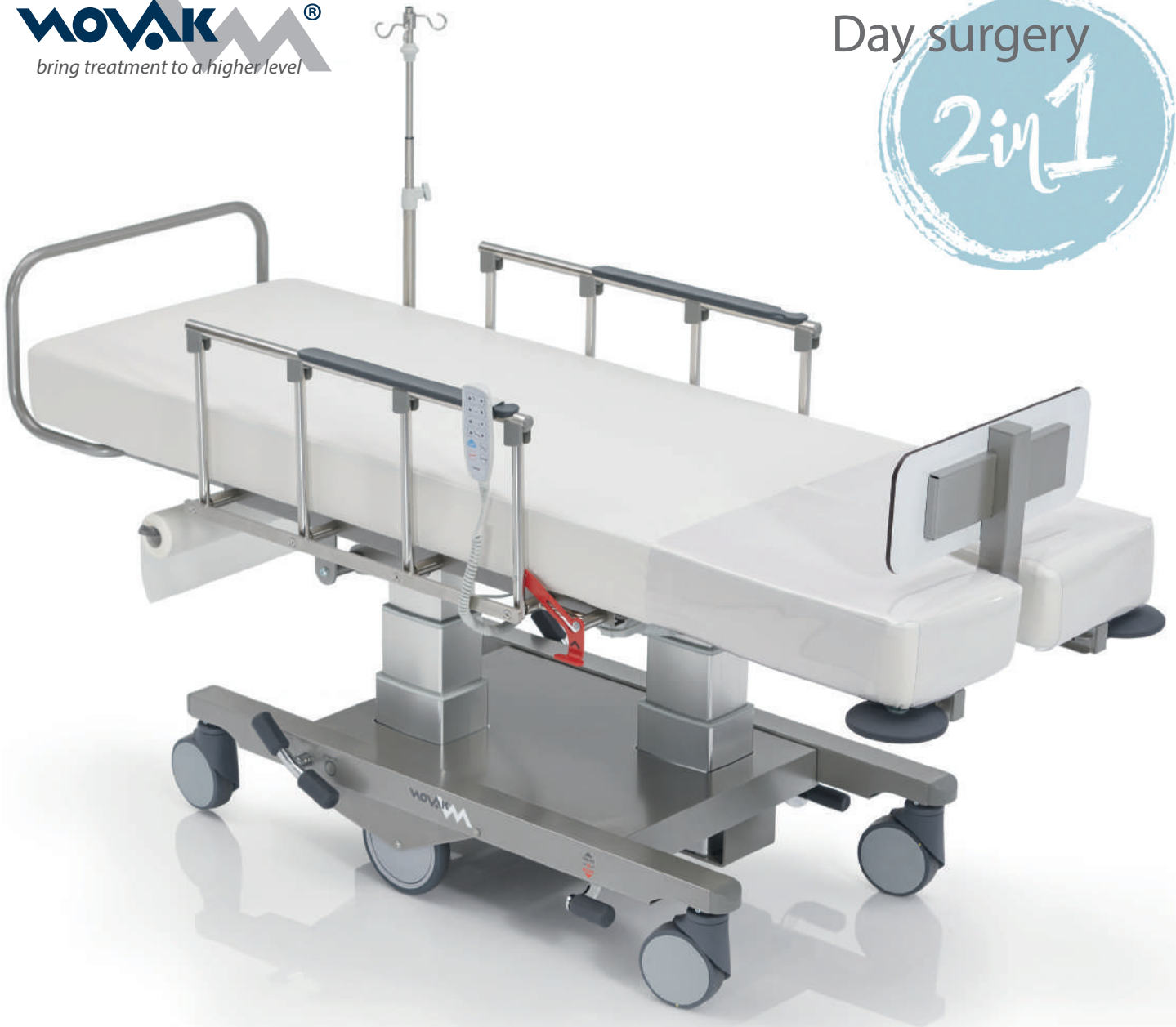
Day hospital chair Zero G



- easy adjustable footrest (optional)
- extremely soft padding with compact edge (14 cm)
- bumpers
- antistatic castors with central locking system (Ø 150 mm) (optional)
- electric height adjustment
- safety rails
- integrated armrests and hand switch holder
- fifth wheel - pair (Ø 200 mm)
- infusion stand (optional)
- manually adjustable head section
- push handles
- paper roll holder (optional)
- infusion stand holder, left (optional)
- fixation rail (optional)

CONTACTE-NOS

808 200 306 | 214 728 040
www.speculum.pt | cliente@speculum.pt



The **Day hospital chair ZeroG** was developed in response to the latest trends in **outpatient surgery** and **postoperative recovery**. With a design that enables **easy** and **safe transport** and **facilitates extremely comfortable recovery** after surgery, the new ZeroG chair perfectly replaces both a standard **PATIENT TRANSPORT TROLLEY** and an electric **HOSPITAL BED**. The chair was designed to **prepare patients** for surgery and make their **transport** and **rest** after surgery **safe and comfortable**.

Easy access and preparation

The height of the Day hospital chair ZeroG is electrically adjustable by a hand switch. One of the chair's key advantages is the **low sitting position** that enables patients' easier access on the chair. **Integrated armrests** on **safety rails** (patent EP Nr. 3496694 and US Nr. 11110019) allow the medical staff to prepare the patient for surgery.

The chair can be set into a **completely flat position**, so it is perfect for all patients' transfers from the ZeroG day hospital chair to any OP table and vice versa. An **Infusion stand**, which can be attached either on the left or on the right side of the chair, is always placed **vertically**, regardless of the chair's position.

Exceptional mobility and agility

A wide range of smart and simple features enable easier pushing, turning and driving. The ZeroG day hospital chair has **castors with central locking system**, which are adjustable from both sides of the chair. To provide easier driving along corridors, excellent manageability and turning on the spot, the chair is additionally equipped with **two fifth wheels**. **Push handles** on optimal height at head section provide a safe grip during driving, while **bumpers** on the corners at leg section protect the chair and surrounding area from damage.

Comfortable and safe recovery

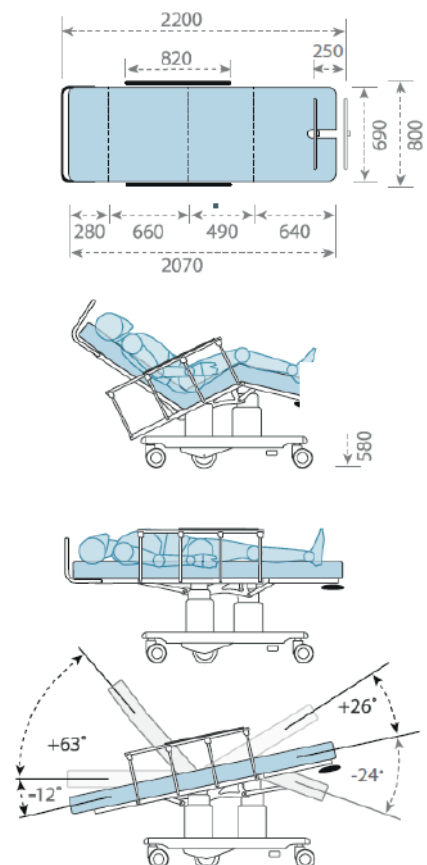
Simple adjustments of the Day hospital chair ZeroG allow surgeons to safely transfer the patients onto the chair after surgery and place them into an **optimal position for recovery**. Firm and solid **safety rails** on both sides of the ZeroG chair protect patients against falls.

The **extremely soft padding** and **simple adjustments** guarantee first-class comfort for patients during recovery after surgery. The patients can adjust the ZeroG chair independently into their favourable position. By pressing a single **“cloud” button** on a **hand switch**, they can set the day hospital chair into **ZeroG position**, the most comfortable position for resting. Anytime during recovery, the hand switch can be securely placed on a **hand switch holder** that is integrated along with armrests on safety rails.

Equipment and accessories

standard ● optional ○

height of the chair - upholstery included	58 - 83 cm
height of the chair - upholstery excluded	44 - 69 cm
safe working load	250 kg
push handles	●
bumpers	●
safety rails	●
integrated armrest and hand switch holder	●
paper roll holder – NZP2-Z	○
adjustable footrest – FR-Z	○
infusion stand holder, right – SIFH2-Z-R	○
infusion stand holder, left – SIFH2-Z-L	○
infusion stand – SIF1-Z	○
fixation rail at sitting section (pair) – LE2-Z	○
black antistatic padding – APU-Z	○
PVC cover for leg section – PVC2-Z	○
PVC cover for leg section with footrest – PVC2-FR-Z	○
fifth wheel (pair) (Ø 200 mm)	●
castors with central locking system (Ø 150 mm) – SER-CK2-Z	●
antistatic castors with central locking system (Ø 150 mm) (4 pcs) – AC3-CK-Z	○
battery backup – BB-Z	○
plug connector for potential equalization – PPEQ	○
oxygen bottle holder (45 cm) – O2-Z	○
extended safety rails – OOLE-Z	○





CONTACTE-NOS

808 200 306 | 214 728 040
www.speculum.pt | cliente@speculum.pt

 **SPECULUM** S.A.
Acompanhamos o pulsar da vida